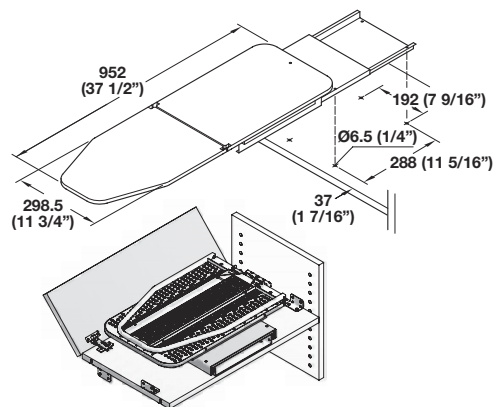


Ironing Boards

Ironfix® Shelf-mounted

New Item

- Fits into a 24" wide x 14" deep space
- Rotates 180° degrees with seven pre-set positions
- Due to the absence of ball bearing slides, clothing remains free from grease or pinch point damage
- Mounts to a shelf with through bolts (included)



Ironfix™ shelf-mounted ironing board

Height: 130 mm (5 1/8")
 Width: 520 mm (20 1/2")
 Depth: 350 mm (13 3/4")
 Extended board length is 952 mm (37 1/2")
 Material: steel, epoxy-coated
 Cover: natural white cotton with gray stripes, foam backed

Color	Item No.
white RAL 9016	568.60.781

Packing: 1 set (includes installation hardware)

Replacement heat resistant cover

- For ironing board with elastic band
- Material: natural cotton, foam backed

Color	Item No.
white/gray striped	568.60.907

Packing: 1 pc.

